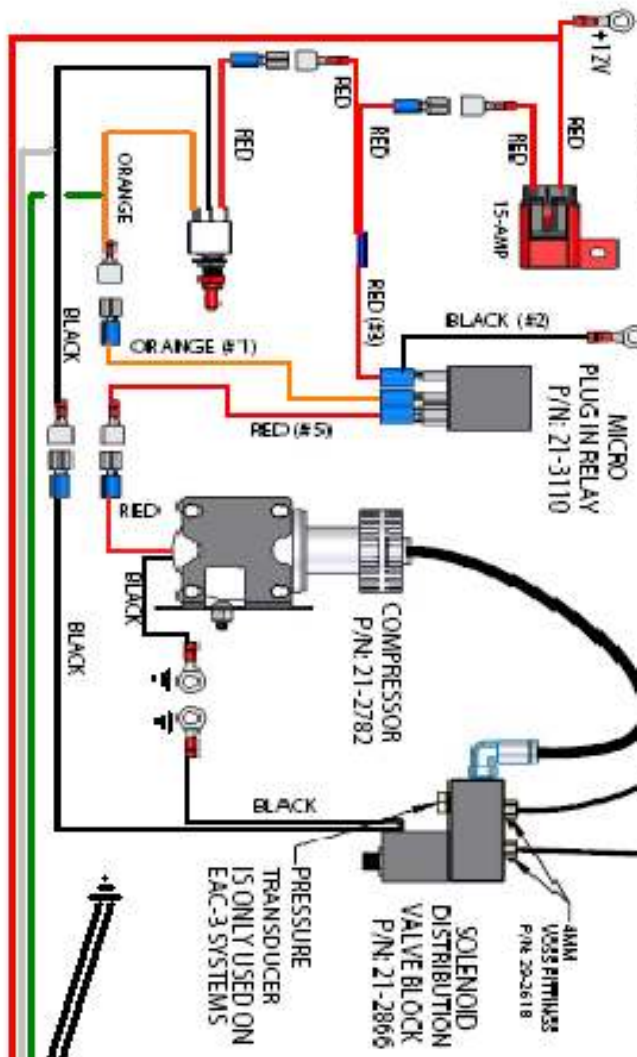
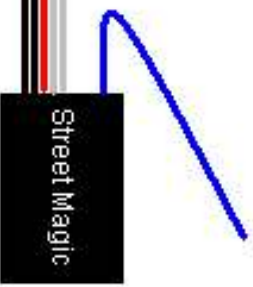


UNIVERSAL FUSED WIRING HARNESS
P/N: 21-2698



Black wires: from remote go to a good ground.
 Green wire: from remote gets attached to the orange wire of the Arnott system
 Red wire: from remote gets attached to the positive of the Arnott system.
 Gray wire in diagram is a White wire on the remote and gets attached to the Black wire of the Arnott system (NOT GROUND WIRE) the lowering wire of the Solenoid Valve.
 Blue wire: is Antenna DO NOT ATTACH TO ANYTHING.



Street Magic