



Custom Dynamics® 5.75" Halo LED Headlight Installation Instructions

We thank you for purchasing the Custom Dynamics® 5.75" Halo LED Headlight. Our products utilize the latest technology and high quality components to ensure you the most reliable service. We offer one of the best warranty programs in the industry and we back our products with excellent customer support, if you have questions before or during installation of this product please call Custom Dynamics® at 1 (800) 382-1388.

Part Numbers: CD-575-H-B CD-575-H-C

Package Contents:

- 5.75" Halo LED Headlight (1)
- Instructions (1)

Fitment: 2022-earlier Harley-Davidson® XL Sportster models, 2015-2021 XG Street Models, and 2017-Earlier Dyna models (except Switchback). Fits most 2017-Earlier Softail models with 5.75" OEM headlamp buckets including Softail Custom (FXSTC), Cross Bones (FLSTSB), Deuce (FXSTD), Deuce CVO™ (FXSTDSE), Springer (FXSTS), Heritage Springer (FLSTS), and Springer Classic (FLSTSC). Also Fits 2013-2014 Breakout CVO™ (FXSBSE) and 2016-2017 Pro Street Breakout CVO™ (FXSE).



ATTENTION

Please read all Information below before Installation

Warning: Disconnect negative battery cable from battery; refer to owner's manual. Failure to do so may result in electrical shock, injury, or fire. Secure negative battery cable away from positive side of battery and all other positive voltage sources on motorcycle.

Safety First: Always wear appropriate safety gear including safety glasses when performing any electrical work. It is highly recommended that safety glasses be worn throughout this installation process. Be sure motorcycle is on level surface, secure and cool.

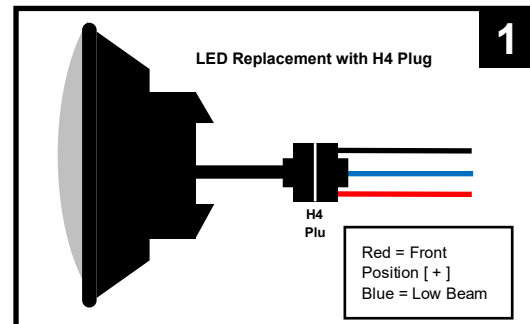
Note: Complies with SAE and DOT standards for high and low beam motorcycle headlamp.

Cleaning: Take special care in cleaning the finish. Never use abrasive polishes or cleaners as these can scratch the finish.



Installation:

1. Disconnect the negative battery cable from the battery.
2. Remove the OEM Headlight from headlight bucket and unplug from H4 connector.
3. Connect the H4 connector from the Custom Dynamics® 5.75" Halo LED Headlight to the motorcycle. Shown in **Figure 1**.



4. Install the Custom Dynamics® 5.75" Halo LED Headlight into the OEM headlight bucket.
5. Reconnect the negative battery cable to the battery.
6. Aim Custom Dynamics® 5.75" Halo LED Headlight. **Note:** Scan the QR Code below for specific instructions on proper measurements for aiming headlight.



7. Test the new Custom Dynamics® 5.75" Halo LED Headlight for proper operation.

Questions? Email: info@CustomDynamics.com or Call us at: 1 (800) 382-1388 M-TH 8:30AM-5:30PM / FR 9:30AM-5:30PM EST