



Custom Dynamics® Alternating Brake Strobe Module Installation Instructions

We thank you for purchasing the Custom Dynamics® Alternating Brake Strobe Module. Our products utilize the latest technology and high quality components to ensure you the most reliable service. We offer one of the best warranty programs in the industry and we back our products with excellent customer support, if you have questions before or during installation of this product please call Custom Dynamics® at 1(800) 382-1388.

Part Numbers: CD-ALT-BS-HD

Package Contents:

- Alternating Brake Strobe Module (1)
- Y Adapter Harness (1)
- Wire Ties (10)



Fits: 1996-2017 Harley-Davidson® Softails® (except Breakout®, CVO™ Breakout/Pro Street, Rocker/Rocker C, Slim/Slim-S, Blackline or Softail Convertible CVO™), 1997-2017 Dynas, 1999-2003 Sportster, 1997-2013 Harley-Davidson® Electra Glide, Ultra Classic, Ultra Limited models (including CVO™), Road King (FLHR), Road King Classic (FLHRC), Road Glide Ultra (FLTRU)/Road Glide Ultra CVO™ (FLTRUSE), 1998-2009 Road Glide Standard (FLTR), 2006-2009 Street Glide (FLHX), 2010-2011 Street Glide Trike (FLHXXX) and 2010-2013 Tri Glide® Ultra Classic (FLHTCUTG) .

Installation:

1. Secure motorcycle on level surface. Remove seat. Disconnect negative battery cable from the battery.
2. Locate and unplug the rear fender lighting harness connector.
3. Plug the Y Adapter Harness, in-line, into the rear fender lighting harness and into the bike's main wiring harness. Y Adapter harness MUST be installed in front of any Run/Brake/Turn module or Taillight Brake Strobe module. Plug the Alternating Strobe Module into the Y Adapter Harness.
4. For plug-n-play installation, install Custom Dynamics® Red LED Boltz™ (sold separately). Once the LED Boltz™ are installed connect them to the left and right output white 3 pin connectors.
5. For custom installations, remove the White 3 wire connectors from both outputs. Refer to the Output Wiring schematic on Page 2 for connections.
6. Re-connect the battery's negative battery cable to the negative of the battery.
7. With the power off to the module, select the desired Brake Strobe Pattern using SW1 and SW2 switches. Refer to the Brake Strobe Pattern Information on Page 2.
8. Locate a secure place for the Alternating Strobe Module that will not interfere with the secure placement of the seat or side cover. Secure with tie-wraps, tape or other means so that unit will not move.
9. Test all lighting for proper operation.



Please read all Information below before Installation

Warning: Disconnect negative battery cable from battery; refer to owner's manual. Failure to do so may result in electrical shock, injury, or fire. Secure negative battery cable away from positive side of battery and all other positive voltage sources on vehicle.

Safety First: Always wear appropriate safety gear including safety glasses when performing any electrical work. It is highly recommended that safety glasses be worn throughout this installation process. Be sure vehicle is on level surface, secure and cool.

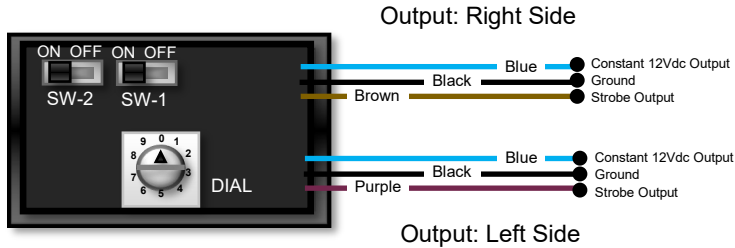
Important: This product is designed and intended for use as auxiliary lighting only. It is NOT intended to replace any original equipment lighting installed on the vehicle and should not be used for that purpose. This product must be wired so that it does not interfere with any original equipment lighting.

Important: Do not exceed 3 Amps per output.

Questions? Email: info@Customdynamics.com or Call us at: 1 (800) 382-1388 M-TH 8:30AM-5:30PM / FR 9:30AM-5:30PM EST

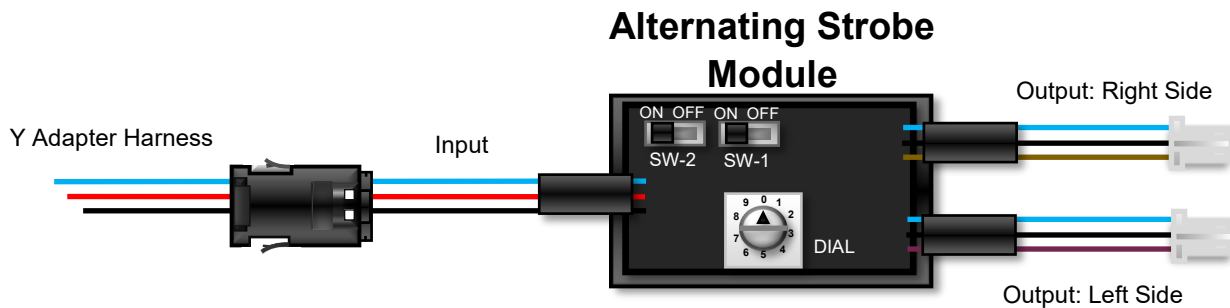
Installation Instructions - Page 2.

Output Wiring Schematic



NOTE: Do not exceed 3 Amps per output.

Brake Strobe Pattern Information



- Dial controls the speed of the brake strobe. 1 being the slowest and 9 being the fastest.
- Selecting 0 will disable the strobe.
- SW-1 and SW-2 Selects the Brake Strobe Pattern:



Random Brake Strobe Pattern



Alternating 2 Flash Pattern



Alternating 4 Flash Pattern



Alternating 5 Flash Pattern