



Custom Dynamics® Fascia LED Panels Installation Instructions

We thank you for purchasing the Custom Dynamics® Fascia LED Panels. Our products utilize the latest technology and high quality components to ensure you the most reliable service. We offer one of the best warranty programs in the industry and we back our products with excellent customer support, if you have questions before or during installation of this product please call Custom Dynamics® at 1 (800) 382-1388.

Part Numbers: CD-FASCIA-SS6-RB CD-FASCIA-SS6-RC
CD-FASCIA-SS6-SB CD-FASCIA-SS6-SC

Package Contents:

- Fascia LED Panels (Pair)
- SS6 Y Harness Adapter w/ Plugs (1)
- 4" Cable Ties (10)
- Wire Holders (4)
- Instructions (1)

Fits: 2010-2013 Harley-Davidson® Street Glide (FLHX) and Road Glide Custom (FLTRX). Does **NOT** fit CVO™ models.



Installation:

1. Remove the saddlebags to allow access to the rear fender fascia panel.
2. Remove the seat and disconnect the negative battery cable from the battery.
3. Locate the connector for the rear fender lighting. Install the SS6 Y Harness Adapter inline with the rear lighting. **Note: The order of installation will be the motorcycles SS6 main wiring harness, Smart Signal Stabilizer Module™/ Load Equalizer (If Installed), Brake Strobe Module (if installed), Run/Brake/turn Module (if installed), SS6 Y Harness Adapter and rear lighting harness.**
4. Clean the surface area of the rear fender fascia where the Custom Dynamics® Fascia LED Panels will be placed with denatured alcohol, allow 1-2 minutes to dry.
5. Test fit the Custom Dynamics® Fascia LED Panels. Confirm the tabs on the back of the Custom Dynamics® Fascia LED Panels are touching the bottom of the rear fender fascia. Shown in **Figure 1**.



ATTENTION

Please read all Information below before Installation

Warning: Disconnect negative battery cable from battery; refer to owner's manual. Failure to do so may result in electrical shock, injury, or fire. Secure negative battery cable away from positive side of battery and all other positive voltage sources on motorcycle.

Safety First: Always wear appropriate safety gear including safety glasses when performing any electrical work. It is highly recommended that safety glasses be worn throughout this installation. Be sure motorcycle is on a level surface, secure, and cool.

Important: This product is designed and intended for use as auxiliary lighting only. It is NOT intended to replace any OEM lighting installed on the motorcycle and should not be used for that purpose. This product must be wired so that it does not interfere with any OEM lighting.

Important: Ambient install temperature must be at 60 degrees F or higher. Allow 24 hours for tape to cure before washing or prolonged use of motorcycle.

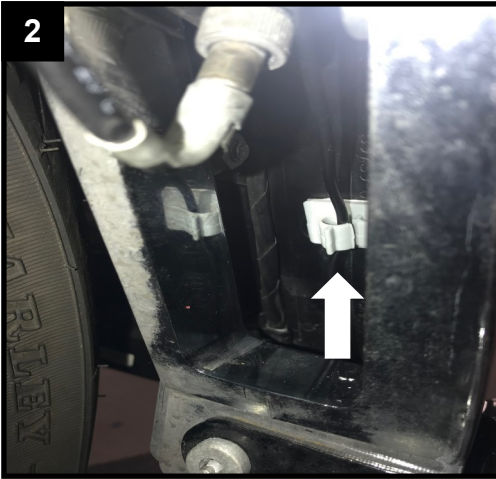


Questions? Email: info@CustomDynamics.com or Call us at: 1 (800) 382-1388 M-TH 8:30AM-5:30PM / FR 9:30AM-5:30PM EST

Installation Instructions - Page 2

Installation Continued:

- Remove the red protective film on the 3M™ tape from the back of the Custom Dynamics® Fascia LED Panel. Line up the Custom Dynamics® Fascia LED Panel tabs with the bottom edge of the rear fascia. Firmly press the Custom Dynamics® Fascia LED Panel into place, apply pressure evenly to ensure tape is applied.
- Route the wire from the Custom Dynamics® Fascia LED Panel up behind the rear fender fascia to the rear fender strut. Secure wires with the supplied Wire Holders. Shown in **Figure 2**.

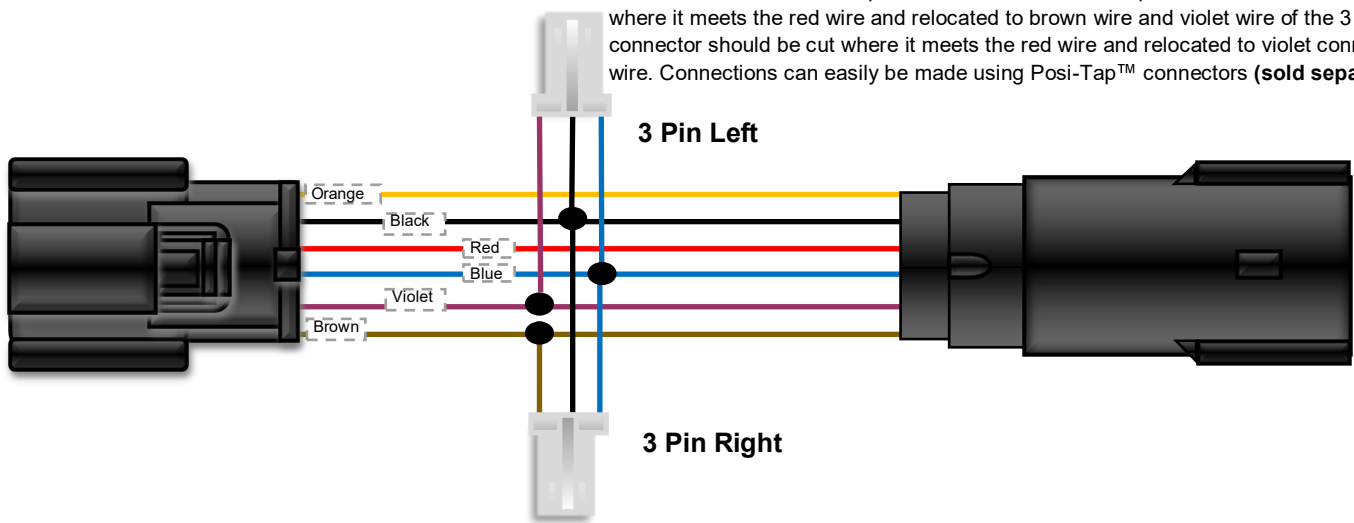


- Continue to route wire along the fender struts to the SS6 Y Harness Adapter location. Secure the wires with the supplied Cable Ties to prevent the wires from being cut, frayed, or pinched.
- Connect the left side wire of the Custom Dynamics® Fascia LED Panels to the SS6 Y Harness 3 pin connector that has the violet wire. Connect the right side wires of the Custom Dynamics® Fascia LED Panels to the SS6 Y Harness 3 pin connector with the brown wire.
- Secure wires under the seat with the supplied Cable Ties to prevent the wires from being cut, frayed, or pinched.
- Reconnect the negative battery cable to the battery and reinstall the seat.
- Test the new Custom Dynamics® Fascia LED Panels for proper operation. **Note: The Fascia LED Panels are designed to operate as RUN/BRAKE, however the Fascia LED Panels can be configured to operate as RUN/BRAKE or RUN/BRAKE/TURN. Shown on Page 3 diagrams.**

Installation Instructions - Page 3

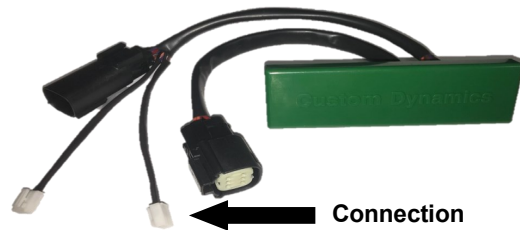
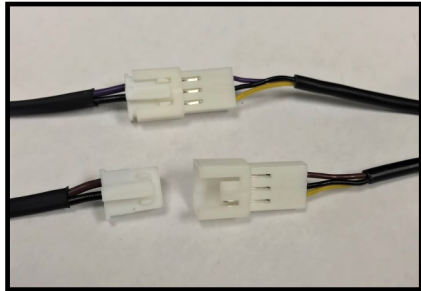
RUN/TURN Configuration:

On the SS6 Y Harness Adapter, the brown wire of the 3 pin connector should be cut where it meets the red wire and relocated to brown wire and violet wire of the 3 pin connector should be cut where it meets the red wire and relocated to violet connector wire. Connections can easily be made using Posi-Tap™ connectors (**sold separately**).



RUN/BRAKE/TURN Plug-N-Play with Smart Triple Play® with Custom Dynamics® Dual Intensity LED TriBar (PB-TRI-2):

Smart Triple Play® with accessory plugs and Custom Dynamics® Dual Intensity LED TriBar required. The provided SS6 Y Harness **will not** be used. The two 3 pin connectors that extend from the output side of the Smart Triple Play® module allow for plug and play installation. Simply plug in the left side (violet) and right side (brown) female connectors from the Smart Triple Play® to the corresponding male connectors on the product.



RUN/BRAKE/TURN With Modification:

Smart Triple Play® **without** accessory plugs required. The SS6 Y Harness must be installed on the output of the Smart Triple Play®. On the SS6 Y Harness Adapter, the blue wires going to the two 3 pin connectors must be cut and capped off. Brown wire of the 3 pin connector should be cut where it meets the red wire and relocated to brown harness adapter wire. The violet wire of the 3 pin connector should be cut where it meets the red wire and relocated to violet harness adapter wire. Connections can easily be made using Posi-Tap™ connectors (**sold separately**).

