

Custom Dynamics® Off Road Rocker Switch Installation Instructions



Part Numbers

CD-OR-SWITCH

Package Contents

CD Off Road Rocker Switch (1)
Instructions (1)



Fitment

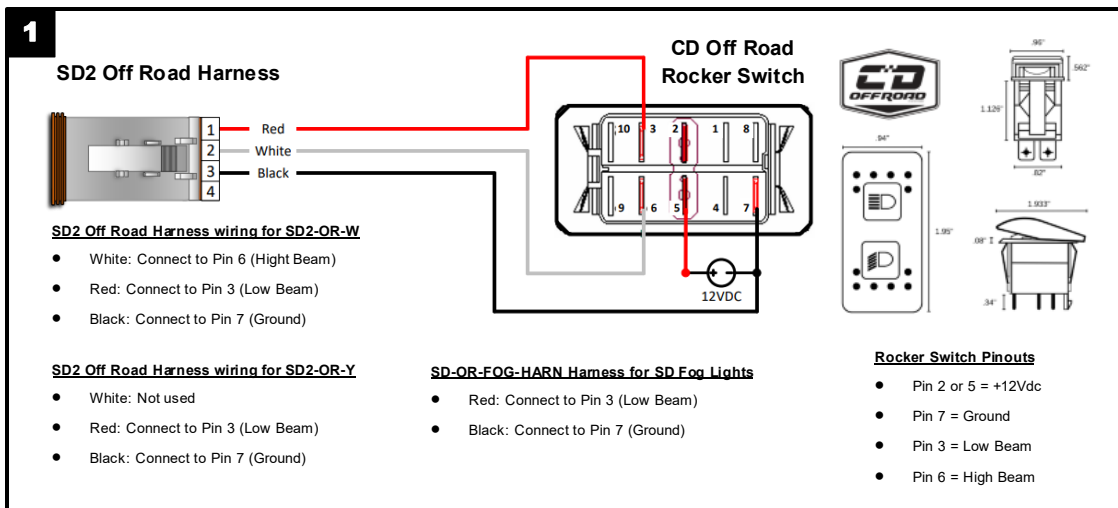
Universal 12VDC systems. Standard 1.45" x 0.83" rocker switch mounting hole on most SXS and automotive applications.

Installation

Warning

Rider and passenger safety depend upon the correct installation of this kit. Use the appropriate service manual procedures. If the procedure is not within your capabilities or you do not have the correct tools, have a qualified technician perform the installation. Improper installation of this kit could result in death or serious injury.

1. Remove all necessary parts to disconnect the negative battery cable from the battery.
2. Select mounting location for the rocker switch and install the CD Off Road Rocker Switch. Dimensions shown in **Figure 1**.
3. Route the SD2-OR-Y-HARN or SD-OR-FOG-HARN (**both sold separately**) wiring to the CD Off Road Rocker Switch. Shown in **Figure 1**.
4. Reconnect the negative battery cable to the battery and reinstall all necessary parts.
5. Test the CD Off Road Rocker Switch for proper operation.



Questions? Email: Info@CustomDynamics.com or Call us at: 1(919)554-0949 M-TH 8:30AM-5:30PM, F 9:30AM-5:30PM EST