



## Custom Dynamics® Magic Strobes™ Brake Flasher Installation Instructions

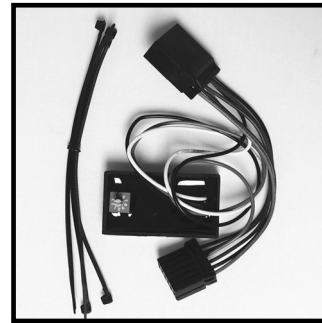
We thank you for purchasing the Custom Dynamics® Magic Strobes™ Brake Light Flasher! Our products utilize the latest technology and high quality components to ensure you the most reliable service. We offer one of the best warranty programs in the industry and we back our products with excellent customer support, if you have questions before or during installation of this product please call Custom Dynamics® at 1(800) 382-1388.

**Part Number: MAGIC-STROBES-XL**

**Package Contents:**

- Magic Strobes™ Brake Flasher (1)
- Tie Wraps (5)

Fits: 2004-2013 Harley-Davidson® Sportster® models and 2010 Softail® Convertible applies brake flash/strobe pattern to stock rear brake lights.



**Installation**

1. Secure motorcycle on level surface.
2. Remove seat to gain access to wire harness.
3. Disconnect negative [ - ] battery cable from the battery.
4. Locate and unplug the lighting connector to the rear fender.
5. Plug the Magic Strobes™ module, in-line, into the rear lighting harness and into the bike's wiring harness.
6. Re-connect the battery's negative battery cable to the negative [ - ] of the battery.
7. Select Desired Pattern on the dial with power Off. (See page 2 for Pattern Information)
8. Check Operation.
9. To change pattern, turn bike OFF and change dial to desired pattern.
10. Locate a secure place for the Magic Strobes™ unit that will not interfere with the secure placement of the seat. Secure with the enclosed tie-wraps so that unit will not move.

**Note:** Although this device has been designed to significantly increase your braking visibility, flash/strobe patterns may not be street legal in your area. This Device is not DOT approved.



### ATTENTION

Please read all Information below before Installation

**Important:** Module must be secured after installation. Find safe area away from any moving parts and out of the way of normal operation of the bike. Use the enclosed tie-wraps to secure. Custom Dynamics® is not liable for damage as a result of improperly securing or failing to secure the module.

**Note:** When using a Magic Strobes™ with a Smart Signal Stabilizer™ or other load equalizer we recommend to install the Magic Strobes™ after (towards the taillight) the Smart Signal Stabilizer™ or load equalizer. (See Diagram)

**Note :** When using a Magic Strobes™ with a Non Custom Dynamics® Run-Brake-Turn Controller, we recommend the following:

-To flash Brake and turns, install Magic Strobes™ Before Run-Brake-Turn Controller. (See Diagram)

-To flash only the center taillight, install Magic Strobes™ After Run-Brake-Turn Controller. (See Diagram)

**Note:** Do not Install any Custom Dynamics® Magic-Strobes™ unit with Custom Dynamics® Smart Triple Play® unit.

**Important:** Customers using this module with standard incandescent bulbs should use patterns 0-3 and 9 only. Any other settings selected will result in diminished performance.

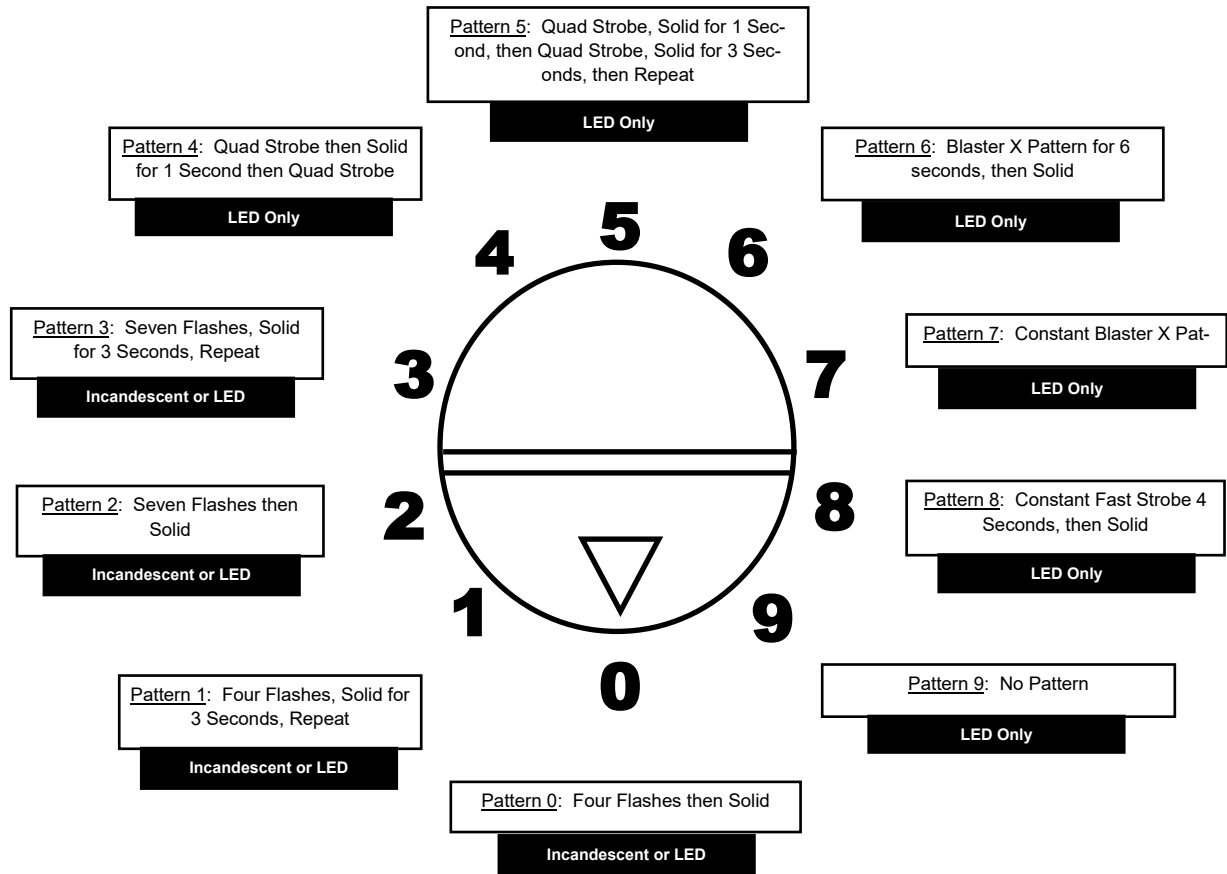
**Caution:** A stuck brake switch may cause this unit to over-heat and fail. Unplug module immediately if this condition occurs.

**Important:** Dial and switches should be maneuvered by hand only. Do not use any tool such as a screwdriver that could damage waterproof covers.

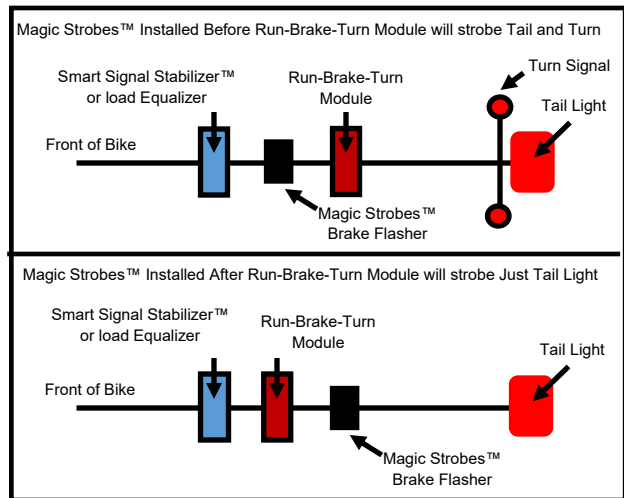
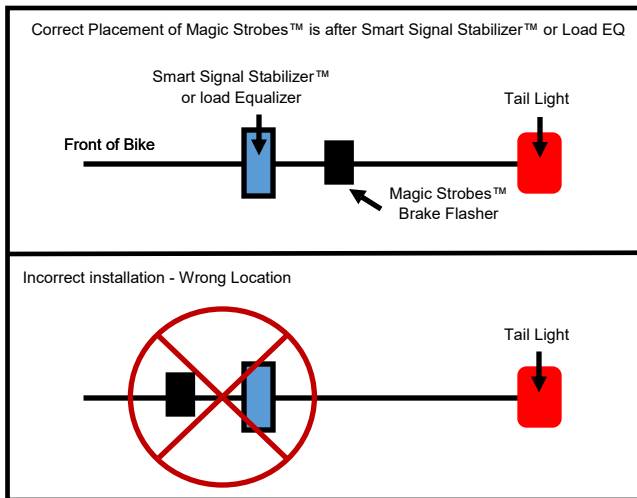
Questions? Call us at: 1 (800) 382-1388 M-TH 8:30AM-5:30PM / FR 9:30AM-5:30PM EST

# Installation Instructions - Page 2

## Flash Pattern Information:



## Module Placement



Questions? Call us at: 1 (800) 382-1388 M-TH 8:30AM-5:30PM / FR 9:30AM-5:30PM EST