

# PROBEAM®

BY CUSTOM DYNAMICS™

## Custom Dynamics® ProBEAM® 7” Adaptive LED Headlight Installation Instructions

We thank you for purchasing the Custom Dynamics® ProBEAM® LED headlight. Our products utilize the latest technology and high quality components to ensure you the most reliable service. We offer one of the best warranty programs in the industry and we back our products with excellent customer support, if you have questions before or during installation of this product please call Custom Dynamics® at 1(800) 382-1388.

**Part Number:** PB-7A14-B PB-7A14-C

### Package Contents:

- ProBEAM® 7” Adaptive LED Headlight (1)
- H4-TOUR-ADAPTER
- Instructions

**Fits:** 2014-2024 Harley-Davidson® Ultra Limited (FLHTK), 2014-2025 Tri Glide Ultra (FLHTCUTG), 2014-2023 Street Glide (FLHX), Street Glide Special (FLHXS), 2015-2025 Freewheeler (FLRT), 2017-2025 Road King Special (FLHRXS), 2014-2022 Road King (FLHR), 2022-2023 Street Glide ST (FLHXST), 2015-2022 CVO™ Street Glide (FLHXSE), 2019-2022 Electra Glide Standard (FLHT) and CVO™ Tri Glide (FLHTCUTGSE), 2014-2019 Electra Glide Ultra Classic (FLHTCU), 2015-2016 Ultra Classic Lo (FLHTCUL), 2015-2018 Ultra Limited Lo (FLHTKL), 2014-2021 CVO™ Limited (FLHTKSE), 2014 CVO™ Road King (FLHRSE) and 1984-2017 FL Softail models with OEM 7” headlight buckets.

2014-2022 Harley-Davidson® Road King (FLHR), 2017-2020 Road King Special (FLHRXS) and 2020-2025 Freewheeler (FLRT) models require wiring adapter 2001-1264 (sold separately).



### Installation:

1. Disconnect the motorcycle battery negative [ - ] terminal.
2. Review detailed service manual for instructions on replacing factory headlight.
3. Remove the OEM headlight from motorcycle.
4. Connect the ProBEAM® headlight to the existing factory H4 plug and re-install according to your detailed service manual. Make sure no wire or any components of the harness can be pinched during installation and that they will not be exposed to water spray, excessive heat or moving parts.

**Note:** 2014-2023 Street Glide, Electra Glide, Ultra, 2014-2025 Tri Glide models (Including CVO™), 2014 Road King CVO™ and 2021-2025 Road King Special models need to use the included H4-TOUR-ADAPTER. If your headlight electrical harness connector does not match the flat 4 pin connector of the H4-TOUR-ADAPTER, follow your motorcycles harness back into the fairing until you find your motorcycles flat 4 pin connector.

**Note:** The Red (position light or city light) wire is intended for international application which may require a position light to be illuminated in the headlight while the bike is parked on a street. It will be connected to the accessory circuit of the bike’s harness and will illuminate when the ignition is placed in the accessory position.

U.S. motorcycles will not need this and it should be secured to the headlight harness with cable ties.

5. Re-connect vehicle battery negative [ - ] terminal.
6. Test high and low beam functions of headlight.



## ATTENTION

Please read all Information below before Installation

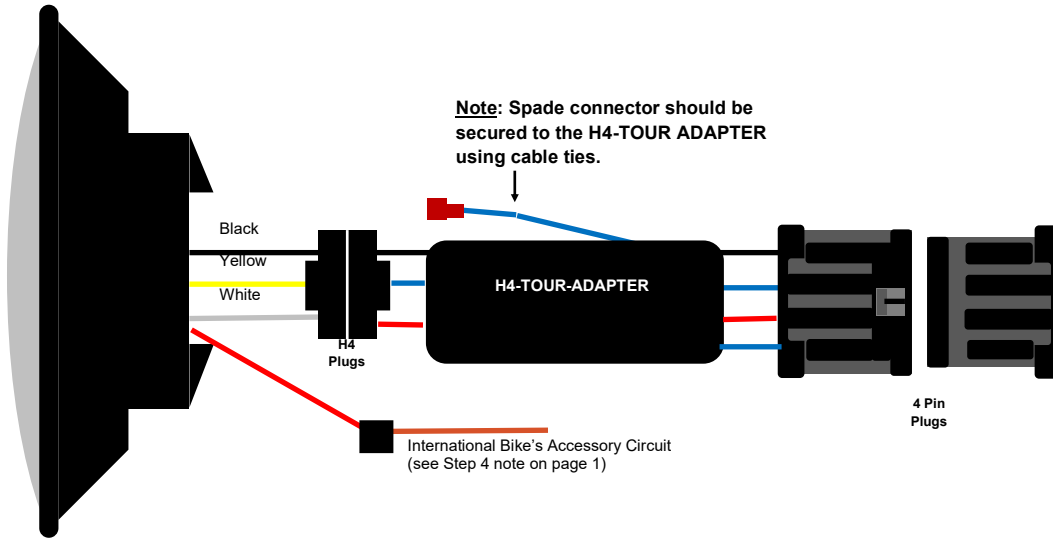
**Important:** Due to the increased light output from this unit, it is recommended you take the motorcycle to a dealer to have the headlamp properly adjusted. Weight and tire pressure can affect the position of the light.

**Warning:** To prevent possible electrical shock, disconnect the negative battery terminal before installing this product.

Questions? Email: [info@CustomDynamics.com](mailto:info@CustomDynamics.com) or Call us at: 1 (800) 382-1388 M-TH 8:30AM-5:30PM / FR 9:30AM-5:30PM EST

# Installation Instructions - Page 2

Using the H4-TOUR-ADAPTER on 2014-2024 H-D™ Touring Models



Using the CDTB-H42H9H11 (Sold Separately) on 2014-2022 H-D™ Road King Models and 2020-2025 Freewheeler (FLRT)

