

# Custom Dynamics® ProBEAM® LRST LED Headlight Installation Instructions

# PROBEAM®

BY CUSTOM DYNAMICS®

## Part Numbers

PB-LRST-B, PB-LRST-C

## Package Contents

ProBEAM® LED Headlight (1)  
Adapter Bracket (1)  
Adapter Harness (1)  
1/4"-20 Nylon Lock Nuts (4)  
Instructions (1)



## Fitment

2022-2026 Harley-Davidson® Softail Low Rider ST (FXLRST) and 2022 Low Rider El Diablo (FXRST).

## Suggested Tools

Safety Glasses  
Phillips Screwdriver  
T25 TORX Socket or Handle Driver

## Installation

### Warning

Rider and passenger safety depend upon the correct installation of this kit. Use the appropriate service manual procedures. If the procedure is not within your capabilities or you do not have the correct tools, have a qualified technician perform the installation. Improper installation of this kit could result in death or serious injury.

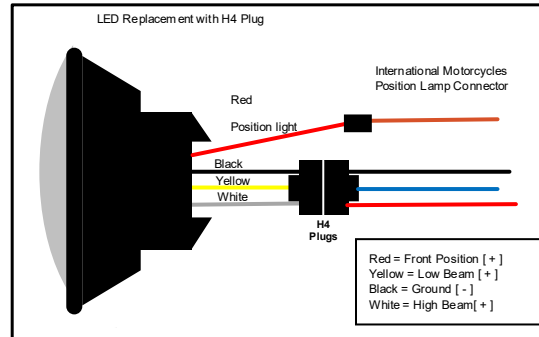
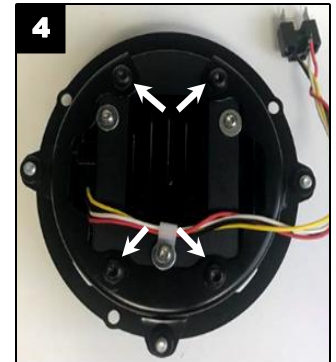
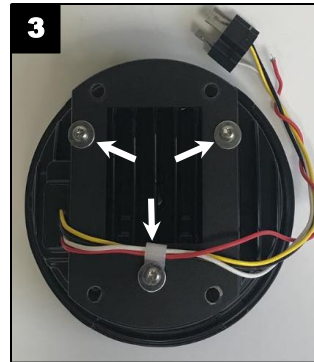
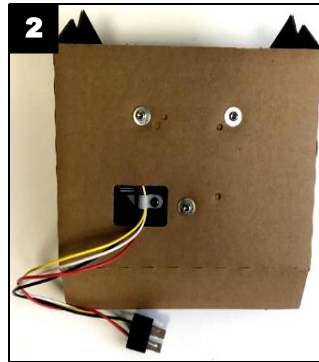
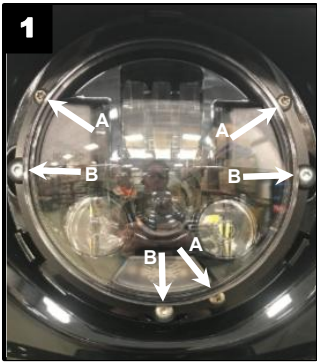
1. Remove all necessary parts to disconnect the negative battery cable from the battery.
2. Remove OEM headlight bezel from the fairing by rotating counter clockwise. Save bezel for reinstallation.
3. Remove the OEM headlight mounting bracket and headlight from the fairing by removing the three T25 TORX screws, save screws for reinstallation. Shown in **Figure 1 Arrow 1**.
4. Remove the OEM headlight from the mounting bracket by removing the four T25 TORX screws on the back of the headlight, save screws for reinstallation.
5. Remove the cardboard backing and nylon cable clamp and the three TORX fasteners on the back of the ProBEAM® LED Headlight, save for reinstallation. Shown in **Figure 2**.
6. Install the ProBEAM® LED Headlight to the supplied Adapter Bracket by using the saved TORX fasteners and nylon cable clamp. Shown in **Figure 3**.
7. Mount the ProBEAM® LED Headlight and Adapter Bracket assembly to the OEM headlight mounting bracket using the supplied 1/4"-20 Nylon Lock Nuts with the OEM TORX screws. Shown in **Figure 4**.
8. Connect the H4 connector of the supplied Adapter Harness to the ProBEAM® LED Headlight.

### Note

The red (position light or city light) wire is intended for **International** models which may require a position light to be illuminated in the headlight while motorcycle is parked on a street. It will be connected to the accessory circuit of the motorcycles harness and will illuminate when the ignition is placed in the accessory position. **US** models will not need this wire, secure with cable ties to harness.

Questions? Email: [Info@CustomDynamics.com](mailto:Info@CustomDynamics.com) or Call us at: 1(919)554-0949 M-TH 8:30AM-5:30PM, F 9:30AM-5:30PM EST

## Installation Instructions Continued - 2



9. Connect the H4 connector of the ProBEAM® LED Headlight with the Adapter Harness to the motorcycles OEM connector.
10. Install the ProBEAM® LED Headlight and Adapter Bracket to the fairing using the three OEM TORX screws. Make sure the wires and components of the harness from being cut, frayed or pinched.
11. Reconnect the negative battery cable to the battery and reinstall all necessary parts.
12. Aim the ProBEAM® LRST LED Headlight. The three Allen head fasteners shown in **Figure 1 Arrow B** are for adjusting the headlight. The bottom Allen head fasteners adjusts the headlight beam up and down and the two on either side adjust the headlight beam side to side.

### Note

Click the link to the right for specific instructions on proper measurements for aiming headlight.

[Click Here](#)

13. Reinstall OEM headlight bezel from the fairing by rotating clockwise until seated.
14. Test the new Custom Dynamics® ProBEAM® LRST LED Headlight for proper operation.