

Custom Dynamics® ProBEAM® Saddlebag LED Lights Installation Instructions



We thank you for purchasing the Custom Dynamics® ProBEAM® Saddlebag LED Lights. Our products utilize the latest technology and high quality components to ensure you the most reliable service. We offer one of the best warranty programs in the industry and we back our products with excellent customer support, if you have questions before or during installation of this product please call Custom Dynamics® at 1(800) 382-1388.

Part Numbers: PB-SB-BCM-BR PB-SB-BCM-BS
PB-SB-BCM-CR PB-SB-BCM-CS
US Patent: D875977, D876,691S
China Patent: ZL201 930037082.0

Package Contents:

- ProBEAM® Saddlebag LED Light W/ Quick Disconnect Harness (2)
- BCM Y Harness Adapter w/ Plugs (1)
- 4" Cable Ties (10)
- Cable Tie Holders (6)
- Instructions (1)

Fits: 2014-2024 Harley-Davidson® Ultra Limited (FLHTK), 2014-2023 Street Glide (FLHX), Street Glide Special (FLHXS), 2015-2023 Road Glide (FLTRX), Road Glide Special (FLTRXS), 2017-2025 Road King Special (FLHRXS), 2014-2022 Road King (FLHR), 2022-2023 Street Glide ST (FLHXST), Road Glide ST (FLTRXST) and CVO™ Road Glide Limited (FLTRKSE), 2020-2024 Road Glide Limited (FLTRK), 2015-2022 CVO™ Street Glide (FLHXSE), 2018-2022 CVO™ Road Glide (FLTRXSE), 2019-2022 Electra Glide Standard (FLHT), 2014-2019 Electra Glide Ultra Classic (FLHTCU), 2015-2016 Ultra Classic Lo (FLHTCUL) and CVO™ Road Glide Ultra (FLTRUSE), 2016-2019 Road Glide Ultra (FLTRU), 2015-2018 Ultra Limited Lo (FLHTKL), 2014-2021 CVO™ Limited (FLHTKSE) and 2014 CVO™ Road King (FLHRSE).

Functions as Run/Brake/Turn on 2014-2024 Harley-Davidson® Ultra Limited (FLHTK), 2014-2023 Street Glide (FLHX), Street Glide Special (FLHXS), 2015-2023 Road Glide (FLTRX), Road Glide Special (FLTRXS), 2017-2025 Road King Special (FLHRXS), 2014-2019 Ultra Classic (FLHTCU), Ultra Classic Lo (FLHTCUL), Ultra Limited Lo (FLHTKL), Road Glide Ultra (FLTRU), 2020-2024 Road Glide Limited (FLTRK), 2016 Road Glide Ultra CVO (FLTRUSE), 2022-2023 Road Glide Limited CVO (FLTRKSE) and 2016-2022 Limited CVO (FLHTKSE).

Functions as Run/Turn on 2014-2023 Harley-Davidson® Road King (FLHR), Street Glide ST (FLHXST), Street Glide CVO (FLHXSE), Road Glide ST (FLTRXST), Road Glide CVO (FLTRXSE), 2014 Road King CVO (FLHRSE), 2015 Road Glide Ultra CVO (FLTRUSE), 2014-2015 Ultra Limited CVO (FLHTKSE), 2014-2018 Electra Glide Police (FLHTP) and 2019-2022 Electra Glide Standard (FLHT).



Installation:

1. Remove seat and disconnect the negative battery cable from the battery.
2. Remove both left and right saddlebags.
3. Test fit the ProBEAM® Saddlebag LED Lights, on each bag. The light should mount a couple millimeters below the bottom edge of the lid when the lid is closed. Mark the location with a grease pencil.
4. Clean the surface area location with denatured alcohol. Allow 1-2 minutes to dry.
5. Remove the red adhesive backing and install the lights on the left and right saddlebags. Press firmly into place.
6. Clean the surface area locations for the supplied Cable Tie Holders with alcohol. Remove paper backing from Cable Tie Holders and press into place. Shown in **Figure 1**.



Please read all Information below before Installation

Disclaimer: Removal of our saddlebag lights after installation, may cause permanent damage to the finished surface area of the saddlebag.

Warning: Disconnect negative battery cable from battery; refer to owner's manual. Failure to do so may result in electrical shock, injury or fire. Secure negative battery cable away from positive side of battery and all other positive voltage sources on vehicle.

Safety First: Always wear appropriate safety gear including safety glasses when performing any electrical work. It is highly recommended that safety glasses be worn throughout this installation process. Be sure motorcycle is on level surface, secure and cool.

Important: This product is designed and intended for use as auxiliary lighting only. It is NOT intended to replace any original equipment lighting installed on the motorcycle and should not be used for that purpose. This product must be wired so that it does not interfere with any original equipment lighting.

Note: The Y Harness Adapter must be plugged into the output (behind) any brake strobe modules.

7. Route wires from ProBEAM® Saddlebag LED Lights to each Cable Tie Holder and secure with supplied Cable Ties.
8. Plug BCM Y Harness Adapter into rear wiring harness.
9. Reinstall saddlebags. Connect 3 pin plugs from ProBEAM® Saddlebag LED Lights to BCM Y Harness Adapter. Violet wire is left side and brown wire is right side. **Note:** See different configurations on **Page 2 and 3**.
10. Secure wires with the supplied Cable Ties from being cut, frayed or pinched.
11. Reconnect the negative battery cable to the battery and reinstall the seat.
12. Test the Custom Dynamics® ProBEAM® Saddlebag LED Lights for proper operation.

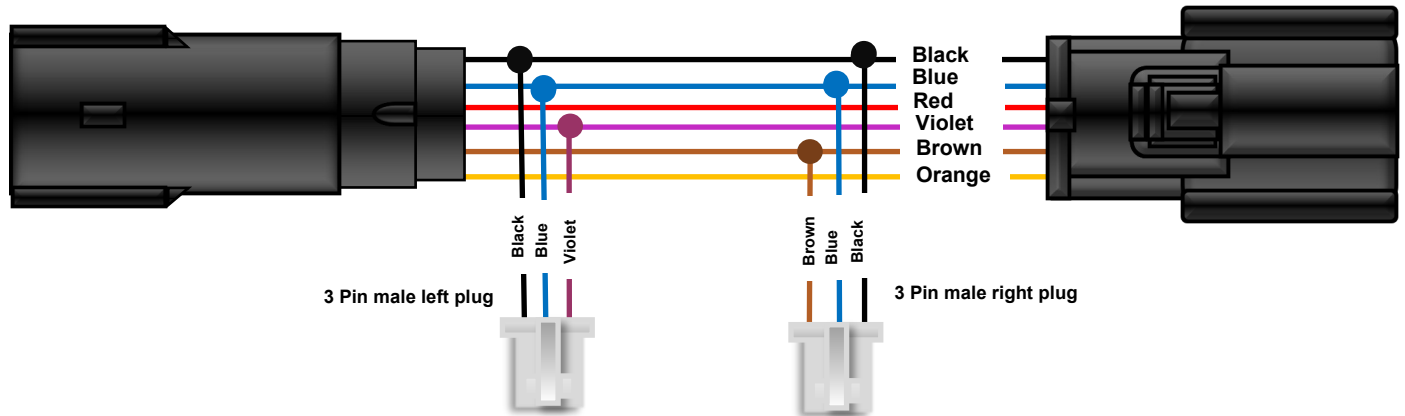
Questions? Email: info@CustomDynamics.com or Call us at: 1 (800) 382-1388 M-TH 8:30AM-5:30PM / FR 9:30AM-5:30PM EST

Installation Instructions - Page 2

Original Configuration:

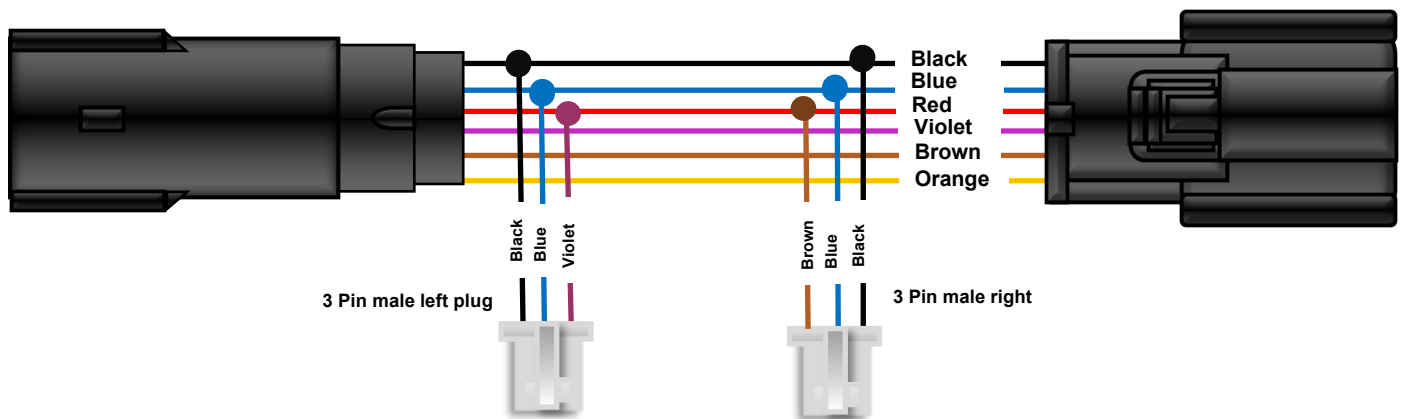
Functions as **Run/Brake/Turn** on 2014-2023 Harley-Davidson® Street Glide (FLHX), Street Glide Special (FLHXS), Road Glide (FLTRX), Road Glide Special (FLTRXS), 2017-2025 Road King Special (FLHRXS), Ultra Classic (FLHTCU), Ultra Classic Lo (FLHTCUL), Ultra Limited (FLHTK), Ultra Limited Lo (FLHTKL), Road Glide Ultra (FLTRU), Road Glide Limited (FLTRK), 2016 Road Glide Ultra CVO (FLTRUSE), 2022-2023 Road Glide Limited CVO (FLTRKSE) and 2016-2022 Limited CVO (FLHTKSE).

Functions as **Run/Turn** on 2014-2023 Harley-Davidson® Road King (FLHR), Street Glide ST (FLHXST), Street Glide CVO (FLHXSE), Road Glide ST (FLTRXST), Road Glide CVO (FLTRXSE), 2014 Road King CVO (FLHRSE), 2015 Road Glide Ultra CVO (FLTRUSE), 2014-2015 Ultra Limited CVO (FLHTKSE), 2014-2018 Electra Glide Police (FLHTP) and 2019-2022 Electra Glide Standard (FLHT).



Run-Brake Modification:

*Violet and Brown Wires going from the 3 Pin Connectors to the Y Harness must be cut and moved from the Violet and Brown to the Red



Installation Instructions - Page 3

MPR-BCM-PLUG Diagram with ProBEAM® BagZ™ as Run-Brake and Turn using PB-EPZ (sold separately):

2014-2023 Harley-Davidson® Road King (FLHR), Street Glide ST (FLHXST), Street Glide CVO (FLHXSE), Road Glide ST (FLTRXST), Road Glide CVO (FLTRXSE), 2014 Road King CVO (FLHRSE), 2015 Road Glide Ultra CVO (FLTRUSE), 2014-2015 Ultra Limited CVO (FLHTKSE), 2014-2018 Electra Glide Police (FLHTP) and 2019-2022 Electra Glide Standard (FLHT). Run-Brake-Turn *PB-EPZ required for run, brake, turn function (sold separately)

